

VERSION 1.0

# MUSWAY

MUSIC IS THE WAY

MX SERIES

# SIX100

DIGITAL CLASS D 6-CHANNEL AMPLIFIER

## SAFETY INSTRUCTIONS

**THE PURCHASED DEVICE IS ONLY SUITABLE FOR AN OPERATION WITH A 12V ON-BOARD ELECTRICAL SYSTEM OF A VEHICLE.** Otherwise fire hazard, risk of injury and electric shock consists.

**PLEASE DO NOT MAKE ANY OPERATION OF THE SOUND SYSTEM, WHICH DISTRACT YOU FROM A SAFE DRIVING.** Do not make any procedures, which demand a longer attention. Perform these operations not until you have stopped the vehicle on a safe place. Otherwise the risk of accident consists.

**ADJUST THE SOUND VOLUME TO AN APPROPRIATE LEVEL, THAT YOU ARE STILL ABLE TO HEAR EXTERIOR NOISES WHILE DRIVING.** High performance sound systems in vehicles may generate the acoustic pressure of a live concert. The permanent listening to extreme loud music may cause the loss of your hearing abilities. The hearing of extreme loud music while driving may derogate your cognition of warning signals in the traffic. In the interests of the common safeness, we suggest to drive with a lower sound volume. Otherwise the risk of accident consists.

**DO NOT COVER COOLING VENTS AND HEAT SINKS.** Otherwise this may cause heat accumulation in the device and fire hazard consists.

**DO NOT OPEN THE DEVICE.** Otherwise fire hazard, risk of injury and electric shock consists. Also this may cause a loss of the warranty.

**REPLACE FUSES ONLY WITH FUSE WITH THE SAME RATING.** Otherwise fire hazard and risk of electric shock consists.

**DO NOT USE THE DEVICE ANY LONGER, IF A MALFUNCTION OCCURS, WHICH REMAINS NOT REMEDIED.** Refer in this case to the chapter TROUBLE SHOOTING. Otherwise risk of injury and the damage of the device consists. Commit the device to an authorized retailer.

**INTERCONNECTION AND INSTALLATION SHOULD BE ACCOMPLISHED BY SKILLED STAFF ONLY.** The interconnection and installation of this device demands technical aptitude and experience. For your own safeness, commit the interconnection and installation to your car audio retailer, where you have purchased the device.

**DISCONNECT THE GROUND CONNECTION FROM THE VEHICLE'S BATTERY BEFORE INSTALLATION.** Before you start with the installation of the sound system, disconnect by any means the ground supply wire from the battery, to avoid any risk of electric shock and short circuits.

**CHOOSE AN APPROPRIATE LOCATION FOR THE INSTALLATION OF THE DEVICE.** Look for an appropriate location for the device, which ensures a sufficient air circulation. The best places are spare wheel cavities, and open spaces in the trunk area. Less suitable are storage spaces behind the side coverings or under the car seats.

**DO NOT INSTALL THE DEVICE AT LOCATIONS, WHERE IT WILL BE EXPOSED TO HIGH HUMIDITY AND DUST.** Install the device at a location, where it will be protected from high humidity and dust. If humidity and dust attain inside the device, malfunctions may be caused.

**MOUNT THE DEVICE AND OTHER COMPONENTS OF THE SOUND SYSTEM SUFFICIENTLY.** Otherwise the device and components may get loose and act as dangerous objects, which could cause serious harm and damages in the passenger room.

**ENSURE CORRECT CONNECTION OF ALL TERMINALS.** Faulty connections may could cause fire hazard and lead to damages of the device.

**MOUNT THE DEVICE AND OTHER COMPONENTS OF THE SOUND SYSTEM SUFFICIENTLY.** Otherwise the device and components may get loose and act as dangerous objects, which could cause serious harm and damages in the passenger room.

**ENSURE NOT TO DAMAGE COMPONENTS, WIRES AND CABLES OF THE VEHICLE WHEN YOU DRILL THE MOUNTING HOLES.** If you drill the mounting holes for the installation into the vehicle's chassis, ensure by any means, not to damage, block or tangent the fuel pipe, the gas tank, other wires or electrical cables.

**DO NOT INSTALL AUDIO CABLES AND POWER SUPPLY WIRES TOGETHER.** Ensure while installation not to lead the audio cables between the head unit and the processor together with the power supply wires on the same side of the vehicle. The best is a areal separated installation in the left and right cable channel of the vehicle. Therewith a overlap of interferences on the audio signal will be avoided. This stands also for the equipped bass-remote wire, which should be installed not together with the power supply wires, but rather with the audio signal cables.

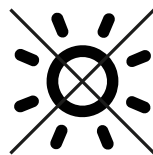
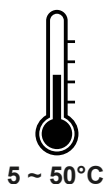
**ENSURE THAT CABLES MAY NOT CAUGHT UP IN CLOSE-BY OBJECTS.** Install all the wires and cables like described on the following pages, therewith these may not hinder the driver. Cables and wires which are installed close-by the steering wheel, gear lever or the brake pedal, may caught up and cause highly dangerous situations.

**DO NOT SPLICE ELECTRICAL WIRES.** The electrical wires should not be bared, to provide power supply to other devices. Otherwise the load capacity of the wire may get overloaded. Use therefor a appropriate distribution block. Otherwise fire hazard and risk of electric shock consists.

**DO NOT USE BOLTS AND SCREW NUTS OF THE BRAKE SYSTEM AS GROUND POINT.** Never use for the installation or the ground point bolts and screw-nuts of the brake system, steering system or other security-relevant components. Otherwise fire hazard consists or the driving safety will be derogated.

**ENSURE NOT TO BEND OR SQUEEZE CABLES AND WIRES BY SHARP OBJECTS.** Do not install cables and wires not close-by movable objects like the seat rail or may be bent or harmed by sharp and barbed edges. If you lead a wire or cable through the hole in a metal sheet, protect the insulation with a rubber grommet.

**KEEP AWAY SMALL PARTS AND JACKS FROM CHILDREN.** If objects like these will be swallowed, the risk of serious injuries consists. Consult promptly a medical doctor, if a child swallowed a small object.



## TECHNICAL SPECIFICATIONS

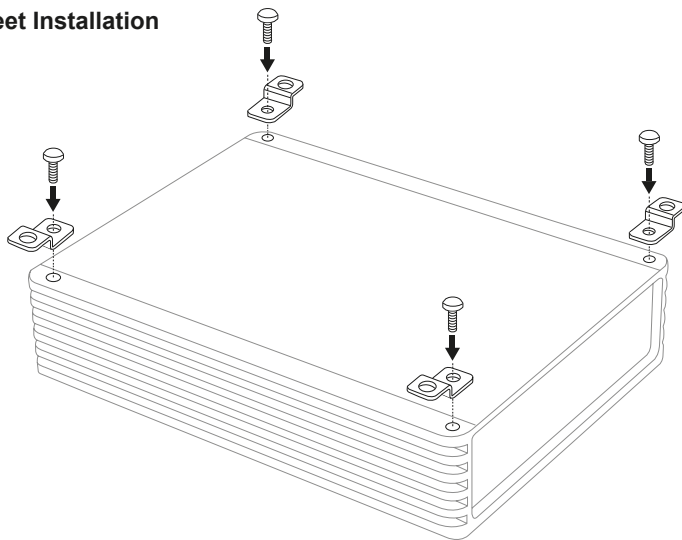
<b>Model</b>	SIX100
<b>Channels</b>	6
<b>Circuit</b>	Digital Class D
<b>OUTPUT POWER RMS @ 13.8 V</b> Watts @ 4 Ohms Watts @ 2 Ohms Watts @ 4 Ohms bridged	6 x 110 6 x 180 3 x 360
<b>OUTPUT POWER RMS @ 14.4 V</b> Watts @ 4 Ohms Watts @ 2 Ohms Watts @ 4 Ohms bridged	6 x 120 6 x 196 3 x 392
<b>Frequency Range -3dB</b>	4 - 38000 Hz
<b>Damping Factor</b>	> 150
<b>Signal-to-Noise Ratio</b>	107 dB
<b>THD+N</b>	< 0,02 %
<b>Input Sensitivity</b>	5 - 0,2 V
<b>Channel 1/2</b> Crossover Modes High Pass Filter	Full - HP 50 - 5000 Hz
<b>Channel 3/4</b> Crossover Modes High Pass Filter Low Pass Filter	Full - HP - LP/BP 10 - 500 Hz 50 - 5000 Hz
<b>Channel 5/6</b> Crossover Modes High Pass Filter Low Pass Filter Bass Boost	Full - HP - LP/BP 10 - 500 Hz 50 - 5000 Hz 0 - 12 dB @ 45 Hz
<b>Start-stop capability</b>	8,5 V
<b>High Level Inputs with EPS</b>	Yes
<b>Auto Turn On</b>	Via DC or Signal
<b>Bass Level Remote Controller</b>	Yes
<b>Fuse Rating</b>	1 x 80 A (external)
<b>Dimensions</b>	290 x 45 x 150 mm

*All Specifications are subject to change*

## MECHANICAL INSTALLATION

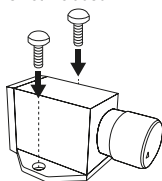
- Avoid any damages on the components of the vehicle like air bags, cables, board computer, seat belts, gas tank or the like.
- Ensure that the chosen location provides a sufficient air circulation for the amplifier. Do not mount the device into small sealed spaces without air circulation or near by heat dispersing parts or electrical parts of the vehicle.
- All cables must be as short as possible to avoid losses and interferences.

### Mounting Feet Installation



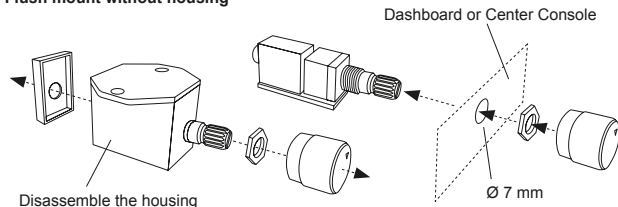
### Remote Installation A

Surface mount with housing  
Screws not included



### Remote Installation B

Flush mount without housing



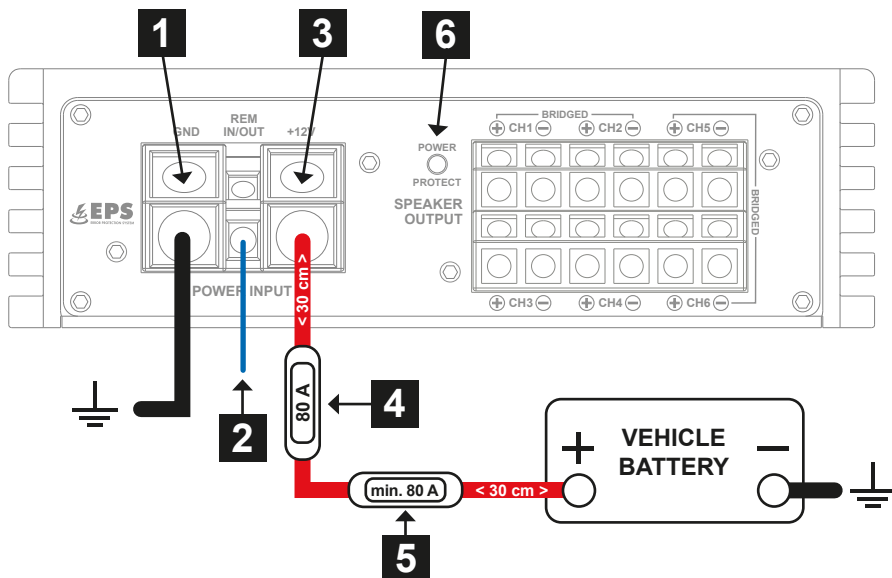
## CAUTION

Before you start with the installation, disconnect necessarily the **GROUND** connection wire from the battery to avoid any risk of electric shocks and short circuits.

## ELECTRICAL INTERCONNECTION

### BEFORE CONNECTING

For the professional installation of a sound system, car audio retail stores offers appropriate wiring kits. Ensure a sufficient profile section (refer to the table on the next page) and a suitable fuse rating and the conductivity of the cables when you purchase your wiring kit. Clean and remove rust-streaked and oxidized areas on the contact points of the battery and the ground connection. Make sure that all screws are fixed tight after the installation, because loose connections cause malfunctions, insufficient power supply or interferences.



#### 1 GND

Connect the GND terminal with a suitable contact ground point on the vehicle's chassis. The ground wire must be as short as possible and must be connected to a blank metallic point at the vehicle's chassis. Ensure that this ground point has a stable and safe electric connection to the negative "–" pole of the battery. Check this ground wire from the battery to the ground point if possible and enforce it if required. Use a ground wire with a sufficient cross section (refer to the table and the recommendations on the next page) and the same size like the +12V power supply wire.

#### 2 REM IN/OUT

Connect a turn-on remote signal or the turn-on remote signal of your head unit (REM) with the REM IN/OUT terminal of the amplifier. Use therefore a suitable cable with a sufficient cross section (0,5 mm<sup>2</sup>). Hereby the amplifier turns on or off with your head unit.

If you use the **AUTO TURN-ON** function (refer to page 8, section 17), the REM IN/OUT terminal does not need to be connected. However, the REM IN/OUT terminal can then be connected to the REM terminal of another amplifier to provide a control signal to it (REM OUT function).

#### 3 +12V

Connect the +12V terminal with the +12V pole of the vehicle's battery. Use a suitable cable with a sufficient cross section (refer to the table on the next page).

**4 FUSE**

The amplifier inherently has no internal device fuse. Use the supplied fuse (80 A) with the fuse holder and install it in the power cable between the 12 Volt pole of the vehicle battery and next to the +12V terminal of the amplifier. The distance between the fuse and the amplifier should not exceed 30 cm.

**5 ADDITIONAL CABLE FUSE (NOT INCLUDED)**

Install an extra fuse (not included) for the +12V power cable near the battery to secure the power cable. The distance between the fuse and the battery should not exceed 30 cm. The fuse size must be adapted to the cable cross-section of the installed power cable (see table below).

**IMPORTANT:** The fuse on the battery does not protect the amplifier, but the cable between the battery and the amplifier against short circuits.

		Cable length in meters							
		0 - 1,2	1,2 - 2,1	2,1 - 3,1	3,1 - 4,0	4,0 - 4,9	4,9 - 5,8	5,8 - 6,7	6,7 - 8,5
Fuse value in Amperes	0 - 20	2,5	4	4	6	6	10	10	10
	20 - 35	4	6	10	10	16	16	16	20
	35 - 50	6	10	10	16	16	20	20	20
	50 - 65	10	10	16	20	20	20	20	35
	65 - 85	16	16	20	20	35	35	35	50
	85 - 105	16	16	20	35	35	35	35	50
	105 - 125	20	20	20	35	35	50	50	50
Minimum cable cross-section in mm <sup>2</sup>									

**Recommended minimum cable cross-section to guarantee full amplifier performance:**

**Up to a length of 3 m: 20 mm<sup>2</sup>**

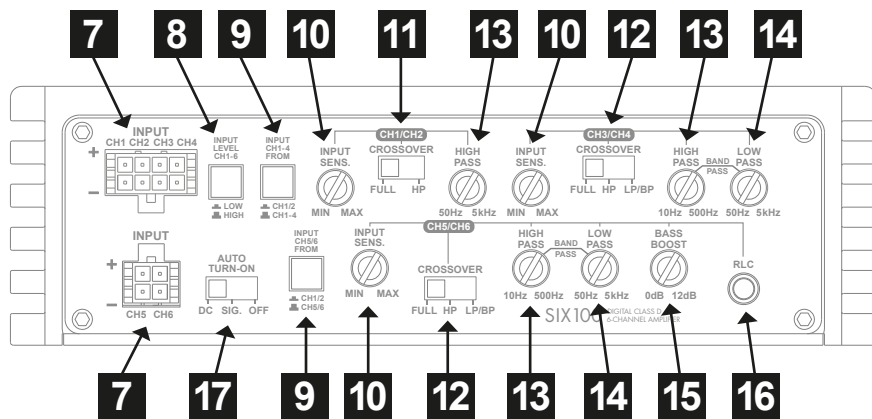
**From a length of 3 m: 35 mm<sup>2</sup>**

**Replace defective fuses only with a new one of the same type and with the same fuse rating.**

**6 POWER/PROTECT**

If the LED lights up in green, the amplifier is ready for operation. If the LED lights up in red, there is a malfunction. Refer in this case to chapter **TROUBLE SHOOTING** on page 14.

## DESCRIPTION OF OPERATION



**7 INPUT**  
Connect the INPUTS with the head unit by using the included RCA wiring harnesses or the HIGH LEVEL INPUT harnesses.

**8 INPUT LEVEL CH1-6**  
If you use the RCA wiring harnesses with the pre-amplifier outputs of your head unit, this button must be in position **LOW**. If you use the HIGH LEVEL INPUT wiring harnesses with the speaker outputs of your head unit, this button must be in position **HIGH**.

**9 INPUT MODE**  
The **INPUT CH1-4 FROM** and **INPUT CH5/6 FROM** buttons switches determines the input mode of each channel pair, depending how much input channels from your head unit are used:

Input **CH1** and **CH2** is used:  
**INPUT CH1-4 FROM** must be in position **CH1/2**  
**INPUT CH5/6 FROM** must be in position **CH1/2**

Input **CH1**, **CH2**, **CH3** and **CH4** is used:  
**INPUT CH1-4 FROM** must be in position **CH1-4**  
**INPUT CH5/6 FROM** must be in position **CH1/2**

Input **CH1**, **CH2**, **CH3**, **CH4**, **CH5** and **CH6** is used:  
**INPUT CH1-4 FROM** must be in position **CH1-4**  
**INPUT CH5/6 FROM** must be in position **CH5-6**

**10 INPUT SENSITIVITY**  
These controllers determine the input sensitivity (adaptation to the output signal of the head unit) for each channel pair. The controller range is between 5 volts (MIN) and 0.2 volts (MAX).

**11 CH1/CH2 CROSSOVER**  
This switch selects the desired operating mode of channel pair 1/2:  
**FULL**: Full-Range mode (the entire frequency range is amplified).  
**HP**: High-Pass mode (frequency is limited downwards, adjustable by the **HIGH PASS** controller).



**12 CH3/CH4 & CH5/6 CROSSOVER**

These switches selecting the desired operating mode of each channel pair (CH3/CH4 or CH5/CH6):

**FULL:** Full-Range mode (the entire frequency range is amplified).

**HP:** High-Pass mode (frequency is limited downwards, adjustable by the **HIGH PASS** controller).

**LP/BP:** Low-Pass/Bandpass mode (frequency is limited upwards, adjustable by the **LOW PASS** controller). The **HIGH PASS** controller then acts as a subsonic filter in this mode and limits the frequency downwards (bandpass function).

**Note:** If the HIGH PASS controller is set higher than the LOW PASS controller, no sound is heard.

**13 HIGH PASS**

This controller limits the frequency at the respective channel pair (CH1/2 or CH3/4 or CH5/6) downwards. Low frequencies that can damage a loudspeaker are cut off. The crossover frequency is adjustable at CH1/2 from 50 Hz to 5000 Hz (5 kHz) and at CH3/4 and CH5/6 at from 10 Hz to 500 Hz.

**14 LOW PASS**

This controller limits the frequency at the respective channel pair (CH3/4 or CH5/6) upwards. The crossover frequency is adjustable from 50 Hz to 5000 Hz (5 kHz).

**15 BASS BOOST**

This controller adjusts the bass boost from 0 dB to +12 dB at 45 Hz on channel pair CH5/CH6.

**16 RLC**

The RLC port is for connecting the cable of the included bass level remote controller. With this, the bass level can be e.g. be adjusted from the driver's seat. Only use the supplied bass remote controller and the associated cable. The bass level remote controller only works in LP/BP mode (Low-Pass/Bandpass) on channel pair CH5/6.

**17 AUTO TURN-ON**

If your head unit does not have a turn-on signal (REM), you can use the automatic turn-on function of the amplifier. This works in two ways, which can be set at the AUTO TURN-ON switch:

**DC:** This method only works if you use the HIGH LEVEL INPUT wiring harness. The button switch **INPUT LEVEL CH1-6** must be in position **HIGH**. The amplifier then detects a voltage rise to 6 volts when the head unit is turned on by a so-called "DC offset" and then turns on the amplifier.

**SIG.:** Select this method when using the RCA jacks of the RCA wiring harness. The button switch **INPUT LEVEL CH1-6** must be in position **LOW**. The amplifier then detects a voltage increase in the incoming audio signal when switching on the head unit via the attached RCA cable and then switches on the amplifier.

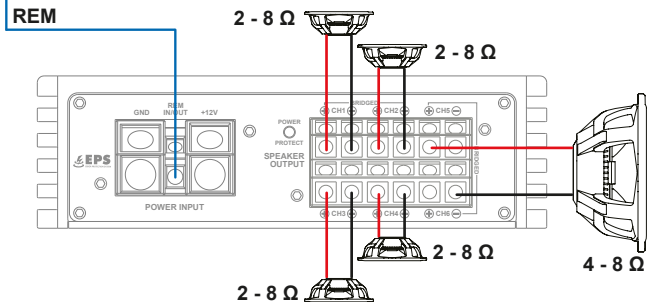
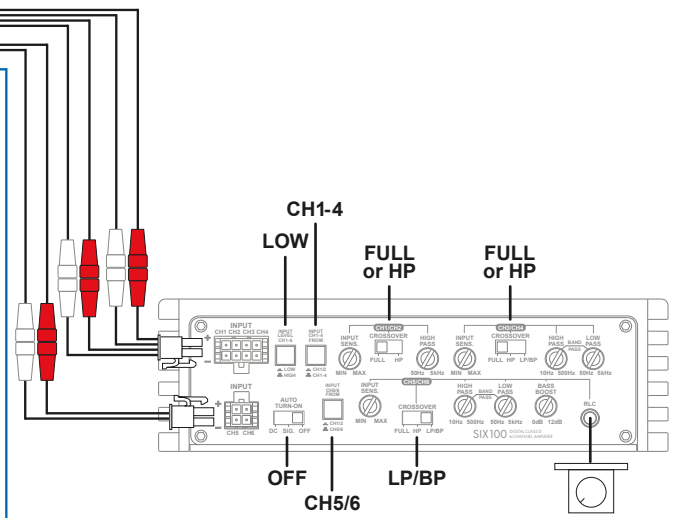
**Note:** As soon as the head unit is switched off again, the amplifier switches itself off.

The terminal for the amplifier turn-on (Refer to page 6, section 2) can now be used to supply additional amplifiers with a turn-on signal. Simply connect the REM terminals of the two amplifiers and make sure that the other amplifier is in "normal" turn-on mode, which means that the **AUTO TURN ON** function is disabled.

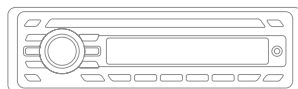
# TYPICAL APPLICATION A



Assignment	
Head Unit	Amplifier
RCA Outputs	RCA Inputs
FL	CH1
FR	CH2
RL	CH3
RR	CH4
SUB L	CH5
SUB R	CH6

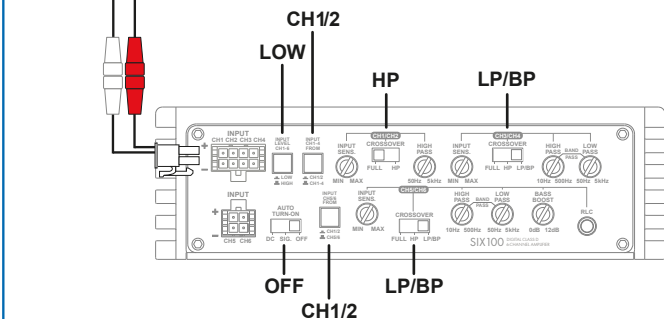


# TYPICAL APPLICATION B

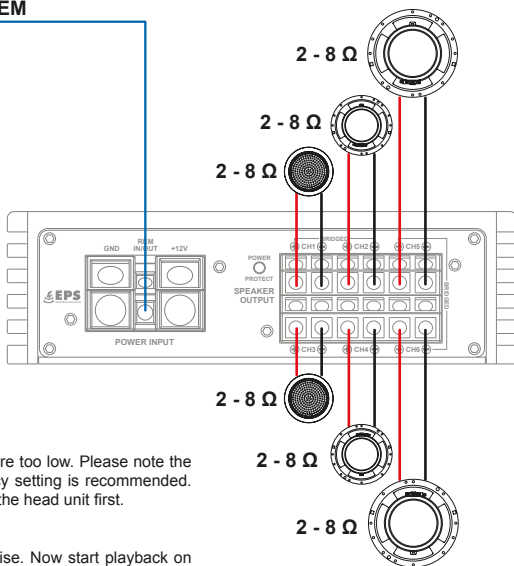


Assignment	
Head Unit	Amplifier
RCA Outputs	RCA Inputs
FL	CH1
FR	CH2

**RCA OUTPUTS**  
 CH1 / left front  
 CH2 / right front



REM



**⚠ CAUTION:**

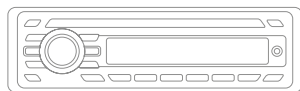
**Active operated Tweeters**

Tweeters will be damaged if the frequencies are too low. Please note the manufacturer's information on which frequency setting is recommended. To be on the safe side, pause the playback of the head unit first.

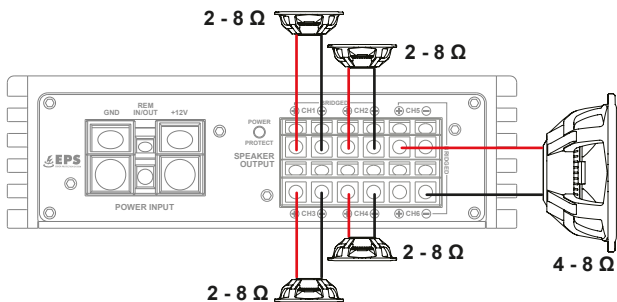
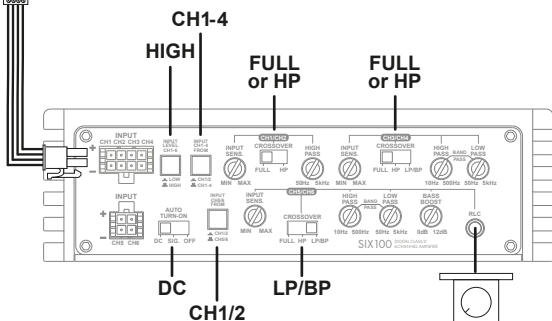
**Procedure:**

First turn the high pass controller fully clockwise. Now start playback on the head unit. Then turn the high pass controller slowly counter-clockwise until you can hear a clean sound from the tweeters and produce a balanced sound together with the woofers/mid-range speakers. Make sure that the woofers/mid-range speakers are set correctly with the respective high pass and low pass controllers.

# TYPICAL APPLICATION C



Assignment	
Head Unit	Amplifier
Speaker Outputs	High Level Inputs
FL	CH1
FR	CH2
RL	CH3
RR	CH4





## TROUBLE SHOOTING

**ATTENTION:** All instructions in this troubleshooting refer to the entire sound system and its individual components. The features of your device may not match the functions described in the notes. Then skip this point and move on to the next one.

### NO FUNCTION / THE POWER LED IS NOT ILLUMINATED

#### First check the fuse of the routed power cable on the vehicle battery

##### The fuse is defective

Replace the defective fuse with an equivalent one, never with a higher value.

- The fuse fails again.

In this case there appears to be a short circuit between the fuse and the amplifier. To do this, check the + 12V power cable along its entire length from the battery to the amplifier for damage and whether there is a short circuit to ground, e.g. a contact with the vehicle chassis or the body. If necessary, replace the defective power cable.

##### The fuse is apparently okay

Use a standard 12 volt voltmeter to check the voltage between the + 12V connection and the ground connection on the amplifier.

- There is no voltage.

Use the voltmeter to check the fuse, which is located close to the vehicle battery, to see whether there is voltage between the output and ground.

If there is no voltage there, either the fuse holder or the fuse is defective, although it appears to be okay. If necessary, replace the fuse holder or fuse.

- There is voltage.

If you operate the amplifier with a pre-amplifier signal (RCA), you must have laid a remote turn-on wire from the head unit to the REM terminal of the amplifier. The AUTO TURN-ON switch must be in the OFF position. However, you can test the AUTO TURN-ON switch to SIG. to see if the amplifier then turns on. If so, there is a problem with the control line..

- A remote turn-on wire is connected to the REM terminal at the amplifier.

Use the voltmeter to check whether there is voltage between the REM terminal of the amplifier and ground. The head unit must be switched on.

There is no voltage.

- Check the remote turn-on wire from the amplifier to the head unit for a short circuit or damage. If necessary, replace the control line..

There is voltage.

- The amplifier is probably malfunctioning or defective. Contact your retailer.

If you operate the amplifier with the loudspeaker signals (high level mode), the AUTO TURN-ON switch must be switched to DC.

- The AUTO TURN-ON switch is in the DC position, but the amplifier remains off.

Check the speaker cables from the head unit to the amplifier for short circuits or damage. If necessary, replace the speaker cables or insulate the damaged area.

<b>THE POWER LED IS ON, BUT NO SOUND COMES FROM THE SPEAKERS</b>
<b>Check the following steps:</b>
<p><b>Low level mode: Are the RCA cables on the head unit and on the amplifier correctly connected?</b></p> <ul style="list-style-type: none"> <li>• <u>The RCA cables are correctly connected.</u> Then an RCA cables could be defective. Check the function of the RCA cables on another audio device. If necessary, replace the defective RCA cables.</li> </ul>
<p><b>High level mode: Are the loudspeaker cables on the head unit and the high level inputs of the amplifier or on the high level cable plug correctly connected?</b></p> <ul style="list-style-type: none"> <li>• <u>The speaker cables are connected correctly.</u> A speaker cable could be defective. If necessary, replace the speaker cable or insulate the damaged area.</li> </ul>
<p><b>Are the speaker cables correctly connected between the speakers or the subwoofer at the speaker outputs of the amplifier?</b></p> <ul style="list-style-type: none"> <li>• <u>The speaker cables are connected correctly.</u> A speaker cable could be defective. If necessary, replace the speaker cable or insulate the damaged area.</li> </ul>
<p><b>Is the high pass filter or subsonic filter set higher than the low pass filter on the amplifier?</b> Then slowly turn down the controller for the high pass filter or subsonic filter until the sound can be heard.</p>
<p><b>Is the input mode switch on the amplifier set correctly?</b> Check the setting and change the switch position if necessary.</p>
<p><b>Are the crossover switches on the amplifier set correctly?</b> Check the settings and change the respective switch position if necessary.</p>
<p><b>Are the speakers or the subwoofer working?</b> Hold a standard 9 volt block battery to the terminals of each loudspeaker or the subwoofer.</p> <ul style="list-style-type: none"> <li>• <u>A faint cracking sound can be heard.</u> The speaker or subwoofer is fine.</li> <li>• <u>There is nothing to be heard.</u> The loudspeaker or subwoofer could be defective. If necessary, replace the defective speaker or subwoofer.</li> </ul>
<p><b>Are the settings on the head unit set correctly?</b></p> <ul style="list-style-type: none"> <li>• Check the fader and balance settings</li> <li>• Check whether the mute function is activated</li> <li>• Check whether a high pass or low pass filter is activated</li> <li>• Check whether playback has been paused</li> <li>• Check the source settings</li> <li>• Check whether any existing subwoofer output is activated</li> </ul>

## TROUBLE SHOOTING

<b>DISTORTION OR HISSING NOISE CAN BE HEARD FROM THE SPEAKERS</b>
<b>Check the following steps:</b>
<b>Is a input level controller on the amplifier set too high?</b> Slowly turn the controller back until you hear a clean audio signal.
<b>Is the Bass Boost controller on the amplifier set too high?</b> Slowly turn the controller back until you hear a clean audio signal.
<b>Is the loudness function on the head unit set too high?</b> Deactivate loudness or turn the loudness setting back until you can hear a clean audio signal.
<b>Are the EQ and sound settings on the head unit set too high?</b> Turn down the settings for Treble, Middle and Bass or deactivate the equalizer until you can hear a clean audio signal.

<b>ENGINE SPEED DEPENDENT NOISE CAN BE HEARD FROM THE SPEAKERS</b>
<b>Check the following steps:</b>
<b>Have the RCA cables been laid separately from the power cable in the vehicle?</b> If necessary, lay the cables again and make sure that the audio cables are laid separately from the power cable on the left and right in the vehicle.
<b>Is the amplifier's ground connection correctly connected?</b> Make sure that the ground connection of the amplifier is not connected directly to the negative pole of the vehicle battery. Select a suitable ground point on the vehicle body for connection. If necessary, use contact spray to improve the conductivity of the connections.
<b>Is the conductivity of the ground cable from the vehicle battery to the body okay?</b> Make sure that the ground connection of the vehicle battery has a stable and conductive connection to the body. If necessary, use contact spray to improve the conductivity of the connections.

<b>AN ACTIVE OPERATED TWEETER IS DISTORTED OR CRACKED</b>
<b>CAUTION: Tweeters will be damaged if the frequencies are too low. Please note the manufacturer's information on which frequency setting is recommended. To be on the safe side, pause the play-back of the head unit first. Check the following steps:</b>
<b>Is the crossover mode switch of the relevant channel pair on the amplifier set correctly?</b> Set the crossover mode switch to the high pass position (HP or HPF).
<b>Is the high pass filter of the relevant channel pair set too low on the amplifier?</b> First turn the high pass controller fully clockwise. Now start playback on the head unit. Then turn the high pass controller slowly counter-clockwise until you can hear a clean sound from the tweeters and produce a balanced sound together with the woofers/mid-range speakers. Make sure that the woofers/mid-range speakers are set correctly with the respective high pass and low pass controllers.



**AMPLIFIER ACTIVATES THE PROTECTIVE CIRCUIT / THE PROTECT LED ILLUMINATES****Check the following steps:****Short circuit on the speaker cables**

- First disconnect all speaker cables from the amplifier. Use a multimeter to check the ohmic impedance of each loudspeaker by measuring between its plus and minus lines. With standard loudspeakers the value fluctuates between 3 and 5 ohms. The values for low-resistance subwoofers can be lower.
- The measurement shows a resistance value of less than 0.5 Ohms  
Then there is a short circuit. Remove the wiring of the affected loudspeaker at its connections. Now use the multimeter to check the ohmic impedance directly at the loudspeaker connections by measuring between the plus and minus connections.  
The measurement shows a resistance value of more than 0.5 Ohms
  - The speaker is fine, so the speaker wire appears to be defective and causing a short circuit. Replace the defective speaker cable.The measurement shows a resistance value of less than 0.5 Ohms
  - The speaker appears to be defective and is shorting out. Replace the defective speaker.

**The load impedance of the loudspeakers or the subwoofer is too low**

- Compare the ohmic impedance of the connected loudspeaker or subwoofer with the technical specifications of the amplifier. For example, if the amplifier is only designed for 2 or 4 ohm operation, no loudspeaker with less than 2 ohms may be connected.

**The cross-section of the power cables is too small**

- If the cable cross-section is too small, this leads to an increased ohmic resistance and thus to a voltage drop (voltage loss). This indicates that the amplifier consumes more power. The increased power consumption results in a significantly higher heat development and the amplifier switches to thermal protection mode. Therefore, observe the recommended cable cross-sections in these instructions and, if necessary, lay power cables with a larger cable cross-section.

**The amplifier is overheated**

- The heat sink of each amplifier requires sufficient air circulation to be able to dissipate the heat generated during operation. If necessary, change the installation position in favor of better cooling of the amplifier or ensure better air circulation at the installation location.
- Turn off the sound system and wait about half an hour for the amplifier to cool down again. With very hot outside temperatures and strong sunlight, enormous heat develops inside the vehicle. The amplifier then activates its thermal protection circuit to prevent damage. After cooling down, the amplifier works properly again.

**ATTENTION:** All instructions in this troubleshooting refer to the entire sound system and its individual components. The features of your device may not match the functions described in the notes. Then skip this point and move on to the next one.

## SICHERHEITSHINWEISE

**DAS VON IHNEN ERWORBENE GERÄT IST NUR FÜR DEN BETRIEB AN EINEM 12-V-BORDNETZ EINES FAHRZEUGS AUSGELEGT.** Andernfalls besteht Feuergefahr, die Gefahr eines elektrischen Schlages oder anderer Verletzungen.

**BITTE KEINE BEDIENUNG DES SOUNDSYSTEMS AUSFÜHREN, WELCHE VOM SICHEREN LENKEN DES FAHRZEUGS ABLENKEN KÖNNTE.** Führen Sie keine Bedienungen aus, die Ihre Aufmerksamkeit längere Zeit in Anspruch nehmen. Stoppen Sie besser das Fahrzeug an einer sicheren Stelle am Straßenrand, bevor Sie solche Bedienungen ausführen. Andernfalls besteht Unfallgefahr.

**DIE LAUTSTÄRKE NUR SO HOCH EINSTELLEN, DASS SIE WÄHREND DER FAHRT NOCH AUSSERGE-RÄUSCHE WAHRNEHMEN KÖNNEN.** Hochleistungsaudiosysteme in Fahrzeugen, können den Schallpegel eines "Live-Konzertes" erzeugen. Dauerhaft extrem lauter Musik ausgesetzt zu sein kann den Verlust des Hörvermögens oder Hörschäden zur Folge haben. Das Hören von lauter Musik beim Autofahren kann Ihre Wahrnehmung (Warnsignale) beeinträchtigen. Im Interesse der allgemeinen Sicherheit empfehlen wir das Musikhören beim Autofahren mit geringer Lautstärke. Andernfalls besteht Unfallgefahr.

**LÜFTUNGSÖFFNUNGEN UND KÜHLKÖRPER NICHT ABDECKEN.** Andernfalls kann es zu einem Wärme-stau im Gerät kommen und es besteht Feuergefahr.

**DAS GERÄT AUF KEINEN FALL ÖFFNEN.** Andernfalls besteht Unfallgefahr, Feuergefahr oder die Gefahr eines elektrischen Schlages. Das Öffnen des Gerätes hat auch einen Garantieverlust zur Folge.

**SICHERUNGEN IMMER DURCH SOLCHE MIT DER RICHTIGEN AMPEREZAHL ERSETZEN.** Andernfalls besteht Feuergefahr oder die Gefahr eines elektrischen Schlages.

**DAS GERÄT NICHT WEITERBENUTZEN, WENN EINE FEHLFUNKTION AUFTRITT, DIE NICHT VON IH-NEN BEHOBEN WERDEN KANN.** Beachten Sie dazu den Abschnitt FEHLERBEHEBUNG. Andernfalls kann es zu Verletzungen oder Schäden am Gerät kommen. Geben Sie das Gerät zu Reparaturzwecken an einen autorisierten Händler oder den nächsten Kundendienst.

**DIE INSTALLATION EINES PUFFERKONDENSATORS MIT AUSREICHENDER KAPAZIÄT WIRD EMP-FOHLN.** Hochleistungsverstärker verursachen sehr hohe Spannungsabfälle und benötigen eine sehr hohe Stromstärke bei hoher Leistung. Um das Bordnetz des Fahrzeuges nicht übermäßig zu belasten, wird die Installation eines Pufferkondensators (auch Pufferelko, Powercap oder Power Capacitor genannt) empfohlen, der parallel zum Verstärker und zur Stromquelle als Puffer fungiert. Lassen Sie sich am besten im Car Audio Fachhandel beraten.

**VERKABELUNG UND EINBAU VON FACHPERSONAL AUSFÜHREN LASSEN.** Die Verkabelung und der Einbau dieses Gerätes erfordern technisches Geschick und Erfahrung. Zu Ihrer eigenen Sicherheit sollten Sie Verkabelung und Einbau dem Händler überlassen, bei dem Sie das Gerät erworben haben.

**VOR DER INSTALLATION DAS KABEL VOM MASSEPOL DER BATTERIE ABKLEMMEN.** Bevor Sie mit der Installation des Soundsystems beginnen, trennen Sie unbedingt den Massepol der Autobatterie ab, um Kurzschlüsse und Stromschläge zu vermeiden.

**WÄHLEN SIE EINEN GEEIGNETEN EINBAUORT.** Suchen Sie einen geeigneten Einbauort für das Gerät, bei dem ausreichend Raum für eine kühlende Luftzirkulation vorherrscht. Am besten geeignet sind Reserverad-mulden und offene Bereiche im Kofferraum. Weniger geeignet sind Stauräume hinter der Seitenverkleidung oder Bereiche unter den Fahrzeugsitzen.

**DAS GERÄT NICHT AN STELLEN EINBAUEN, AN DENEN ES HOHER FEUCHTIGKEIT ODER STAUB AUSGESETZT IST.** Bauen Sie das Gerät so ein, dass es vor hoher Feuchtigkeit und Staub geschützt ist. Wenn Feuchtigkeit oder Staub in das Gerät gelangen, kann es zu Betriebsstörungen kommen. Schäden am Gerät, welche durch Feuchtigkeit hervorgerufen wurden, unterliegen nicht der Garantie.

**DAS GERÄT SOWIE ANDERE KOMPONENTEN DES SOUNDSYSTEMS AUSREICHEND BEFESTIGEN.** Andernfalls könnten sich die Geräte und Komponenten während der Fahrt lösen und als gefährliche Geschos-se im Fahrgastraum Beschädigungen und Verletzungen hervorrufen.

**BEIM BOHREN VON LÖCHERN, BESTEHENDE KOMPONENTEN, LEITUNGEN UND KABEL DES FAHRZEUGS NICHT BESCHÄDIGEN.** Wenn Sie bei der Installation Löcher in das Fahrzeugchassis bohren, achten Sie unbedingt darauf die Kraftstoffleitungen, den Benzintank, elektrische Kabel und andere Leitungen nicht zu beschädigen, zu berühren oder zu blockieren.

**AUF KORREKTE ANSCHLÜSSE ACHTEN.** Bei fehlerhaften Anschlüssen besteht Feuergefahr, Kurzschlussgefahr und es kann zu Schäden am Gerät kommen.

**AUDIOKABEL UND STROMKABEL SOLLTEN NICHT ZUSAMMEN VERLEGT WERDEN.** Bei der Installation des Audiokabels zwischen dem Cinch-Ausgang des Autoradios und dem Cinch-Eingang des Verstärkers im Fahrzeug ist darauf zu achten, dass das Audio- und das Stromversorgungskabel möglichst nicht auf der selben Seite des Fahrzeugs verlegt werden. Besser ist eine räumlich getrennte Installation, im rechten und linken Kabelschacht des Fahrzeugs. Damit wird das Überlagern von Störungen auf das Audio-Signal verringert. Dieses gilt ebenfalls für das Verbindungskabel der beiliegenden Kabel-Fernbedienung. Das Kabel sollte nicht auf der Seite der Stromversorgungsleitung verlegt werden, sondern zusammen mit den Audiokabeln.

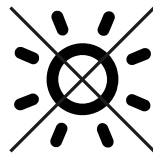
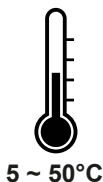
**SORGEN SIE DAFÜR, DASS SICH DIE KABEL NICHT IN GEGENSTÄNDEN IN DER NÄHE VERFANGEN.** Verlegen Sie die Kabel wie auf den folgenden Seiten beschrieben, damit diese beim Fahren nicht hinderlich sind. Kabel die sich im Bereich des Lenkrads, des Schalthebels oder im Bremspedal usw. verfangen können, führen zu äußerst gefährlichen Situationen.

**ELEKTRISCHE KABEL NICHT SPLEISSEN.** Kabel dürfen nicht abisoliert werden, um andere Geräte mit Strom zu versorgen. Andernfalls wird die Strombelastbarkeit des Kabels überschritten, und es besteht Feuergefahr oder die Gefahr eines elektrischen Schlages. Verwenden Sie hierfür am besten geeignete Verteilerblöcke.

**BOLZEN UND MUTTERN DER BREMSANLAGE NICHT ALS MASSEPUNKT VERWENDEN.** Verwenden Sie für den Einbau oder Masseanschluss keine Bolzen oder Muttern der Brems- bzw. Lenkanlage oder eines anderen sicherheitsrelevanten Systems. Andernfalls besteht Feuergefahr oder die Fahrsicherheit ist beeinträchtigt.

**DIE KABEL SO VERLEGEN, DASS SIE NICHT GEKNICKT ODER DURCH SCHARFE KANTEN GEQUETSCHT WERDEN.** Verlegen Sie die Kabel so, dass sie sich nicht in beweglichen Teilen wie den Sitzschienen verfangen oder an scharfen Kanten oder spitzen Ecken beschädigt werden können. Wenn Sie ein Kabel durch eine Bohrung in einer Metallplatte führen, schützen Sie die Kabelisolierung mit einer Gummitülle vor Beschädigungen durch Metallkanten der Bohrung.

**KLEINTEILE WIE SCHRAUBEN UND ANSCHLUSS-STECKER VON KINDERN FERNHALTEN.** Werden solche Gegenstände verschluckt, besteht die Gefahr schwerwiegender Verletzungen. Suchen Sie unverzüglich einen Arzt auf, sollte ein Kind einen solchen Gegenstand verschluckt haben.



## TECHNISCHE DATEN

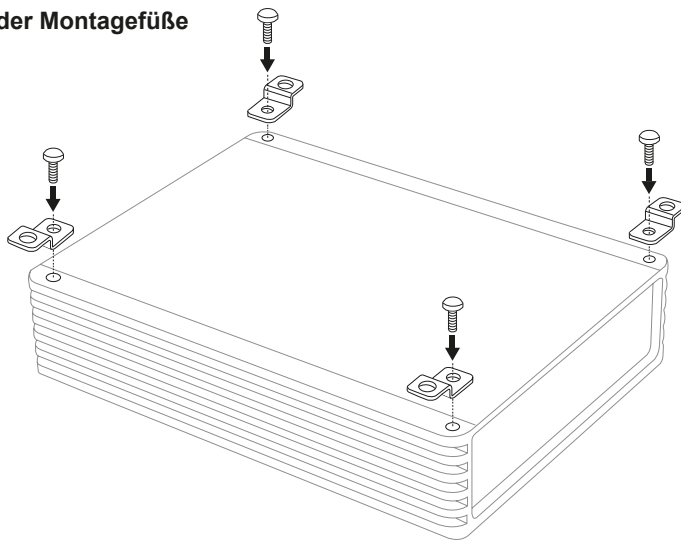
<b>Modellbezeichnung</b>	SIX100
<b>Kanäle</b>	6
<b>Schaltung</b>	Digital Class D
<b>AUSGANGSLEISTUNG RMS @ 13,8 V</b> Watt @ 4 Ohm Watt @ 2 Ohm Watt @ 4 Ohm gebrückt	6 x 110 6 x 180 3 x 360
<b>AUSGANGSLEISTUNG RMS @ 14,4 V</b> Watt @ 4 Ohm Watt @ 2 Ohm Watt @ 4 Ohm gebrückt	6 x 120 6 x 196 3 x 392
<b>Frequenzgang -3dB</b>	4 - 38000 Hz
<b>Dämpfungsfaktor</b>	> 150
<b>Signal-Rauschabstand</b>	107 dB
<b>Klirrfaktor @ 1W/RMS</b>	< 0,02 %
<b>Eingangsempfindlichkeit</b>	5 - 0,2 V
<b>Kanal 1/2</b> Frequenzweichenmodus Hochpassfilter	Full - HP 50 - 5000 Hz
<b>Kanal 3/4</b> Frequenzweichenmodus Hochpassfilter Tiefpassfilter	Full - HP - LP/BP 10 - 500 Hz 50 - 5000 Hz
<b>Kanal 5/6</b> Frequenzweichenmodus Highpass Filter Lowpass Filter Bass Boost	Full - HP - LP/BP 10 - 500 Hz 50 - 5000 Hz 0 - 12 dB @ 45 Hz
<b>Start-Stopp-Fähigkeit</b>	8,5 V
<b>Hochpegel-Eingänge mit EPS</b>	Ja
<b>Automatische Einschaltfunktion</b>	Über DC oder Signal
<b>Basspegel-Fernbedienung</b>	Ja
<b>Sicherungswert</b>	1 x 80 A (extern)
<b>Abmessungen</b>	290 x 45 x 150 mm

Technische Änderungen vorbehalten

## MECHANISCHE INSTALLATION

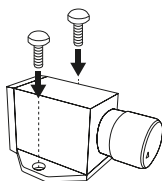
- Achten Sie bei der Installation darauf, dass keine serienmäßig im KFZ vorhandenen Teile wie z.B. Kabel, Bordcomputer, Sicherheitsgurte, Tank oder ähnliche Teile beschädigt bzw. entfernt werden.
- Vergewissern Sie sich, dass der Verstärker am Montageort genügend Kühlung erhält. Montieren Sie das Gerät nicht in zu kleine abgeschlossene Gehäuse ohne Luftzirkulation oder in der Nähe von wärmeabstrahlenden Teilen oder elektronischen Steuerungen des Fahrzeugs.
- Alle Kabel sollten so kurz als möglich gehalten werden, um Verluste und Störungen zu vermeiden.

### Installation der Montagefüße



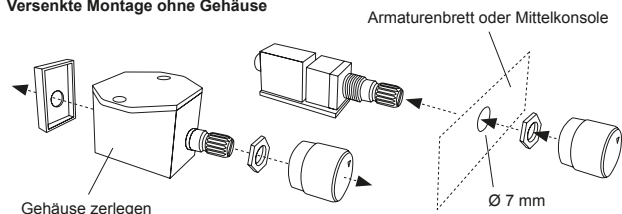
### RLC Installation A

**Aufbaumontage mit Gehäuse**  
Schrauben nicht im Lieferumfang enthalten



### RLC Installation B

**Versenkte Montage ohne Gehäuse**



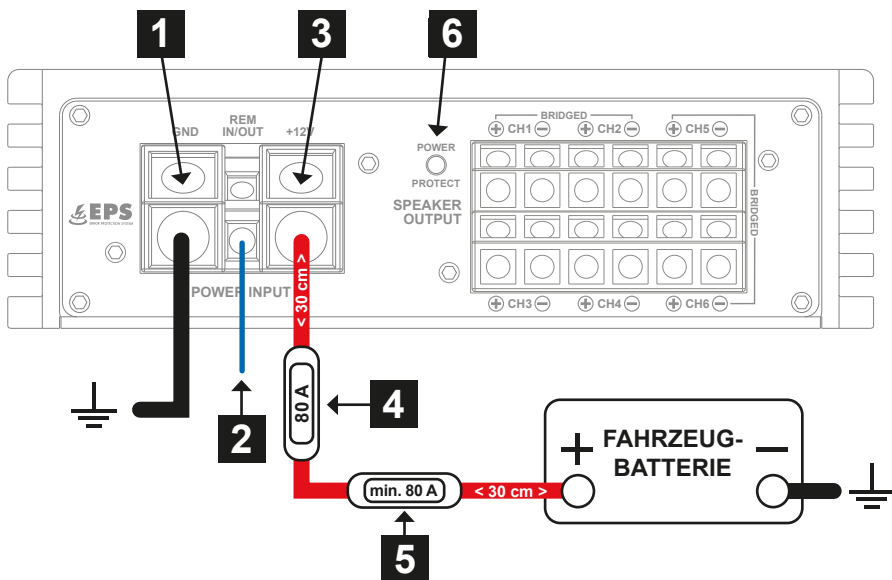
## ACHTUNG

Bevor Sie mit der Installation des Soundsystems beginnen, trennen Sie unbedingt den Massepol der Fahrzeugbatterie ab, um Kurzschlüsse und Stromschläge zu vermeiden.

## ELEKTRISCHE ANSCHLÜSSE

### VOR DEM ANSCHLIESSEN

Für den fachgerechten Anschluss des Soundsystems sind geeignete Kabelsets im Fachhandel erhältlich. Achten Sie beim Kauf auf einen ausreichenden Kabelquerschnitt (siehe Tabelle auf der nächsten Seite) und den passenden Sicherungswert der Kabel. Säubern und entfernen Sie vorhandene Rost- und Oxidationsstellen an allen Kontaktpunkten der Batterie und an den Massepunkten. Ziehen Sie nach der Installation alle Schrauben fest an, denn ein lockerer Anschluss kann eine Fehlfunktion, unzureichende Stromversorgung oder Störgeräusche sowie Verzerrungen zur Folge haben.



#### 1 GND

Verbinden Sie den GND Anschluss des Verstärkers mit einem geeigneten Massepunkt am Fahrzeugchassis. Das Massekabel sollte möglichst kurz sein und an einem blanken, metallischen Punkt des Fahrzeugchassis angebracht werden. Achten Sie darauf, dass dieser Punkt eine sichere elektrische Verbindung zum Minuspol der Fahrzeugbatterie hat. Überprüfen Sie zudem die Masseleitung von der Batterie zur Karosserie und verstärken diese wenn nötig. Verwenden Sie zum Anschluss ein ausreichend dimensioniertes Massekabel (siehe die Tabelle und die Empfehlungen auf der nächsten Seite dazu). Der Querschnitt muss dabei genauso groß wie bei der Plusleitung gewählt werden.

#### 2 REM IN/OUT

Verbinden Sie den Schaltausgang oder die Steuerleitung (REM) des Steuergeräts (Autoradio) mit dem Anschluss REM IN/OUT des Verstärkers. Für die Verbindung zwischen dem REM IN/OUT Anschluss des Verstärkers und dem Steuergerät ist ein Kabel mit einem Querschnitt von  $0,5\text{ mm}^2$  ausreichend. Dadurch schaltet sich der Verstärker beim Einschalten des Autoradios automatisch ein oder wieder aus. Sollten Sie jedoch die automatische Einschaltfunktion unter **AUTO TURN-ON** (siehe Seite 25, Abschnitt 17) verwenden, muss der Anschluss REM IN/OUT nicht belegt werden. Dieser kann jedoch dann mit dem REM-Anschluss eines weiteren Verstärkers verbunden werden, um diesem ein Steuersignal zu liefern (REM OUT-Funktion).

**3****+12V**

Verbinden Sie den 12 Volt Anschluss des Verstärkers mit dem 12 Volt Pluspol der Fahrzeugbatterie mit dem dafür vorgesehenen Kabel (siehe dazu die Tabelle und die Empfehlungen unten).

**4****GERÄTESICHERUNG**

Der Verstärker besitzt prinzipbedingt keine interne Gerätesicherung. Verwenden Sie daher die im Lieferumfang enthaltene Sicherung (80 A) samt Halterung und installieren diese in das Stromkabel nahe des 12 Volt Anschlusses des Verstärkers. Der Abstand zwischen Sicherung und Verstärker sollte nicht mehr als 30 cm betragen.

**5****ZUSÄTZLICHE KABELSICHERUNG (NICHT IM LIEFERUMFANG ENTHALTEN)**

Installieren Sie eine zusätzliche Sicherung für das Stromkabel in der Nähe der Batterie. Der Abstand zwischen Sicherung und Batterie sollte nicht mehr als 30 cm betragen. Die Sicherungsgröße muss dem Kabelquerschnitt des verlegten Stromkabels angepasst sein (siehe Tabelle unten).

**WICHTIG:** Die Sicherung an der Batterie sichert nicht den Verstärker, sondern die Leitung zwischen Batterie und Verstärker gegen Kurzschluss.

		Kabellänge in m							
		0 - 1,2	1,2 - 2,1	2,1 - 3,1	3,1 - 4,0	4,0 - 4,9	4,9 - 5,8	5,8 - 6,7	6,7 - 8,5
Sicherungswert in Ampere	0 - 20	2,5	4	4	6	6	10	10	10
	20 - 35	4	6	10	10	16	16	16	20
	35 - 50	6	10	10	16	16	20	20	20
	50 - 65	10	10	16	20	20	20	20	35
	65 - 85	16	16	20	20	35	35	35	50
	85 - 105	16	16	20	35	35	35	35	50
	105 - 125	20	20	20	35	35	50	50	50
Mindestkabelquerschnitt in mm <sup>2</sup>									

**Empfohlener Mindestkabelquerschnitt um die volle Verstärkerleistung zu garantieren:**

**Bis 3 m Länge: 20 mm<sup>2</sup>**

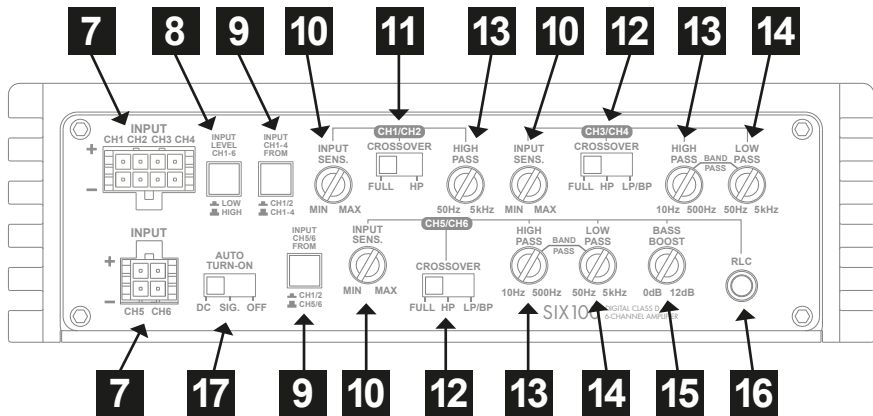
**Ab 3 m Länge: 35 mm<sup>2</sup>**

**Tauschen Sie defekte Sicherungen nur gegen eine Neue aus, die gleichen Typs ist und den gleichen Sicherungswert besitzt.**

**6****POWER/PROTECT**

Leuchtet diese LED grün, ist der Verstärker betriebsbereit. Leuchtet diese rot, liegt eine Fehlfunktion vor. Beachten Sie dann die Hinweise im Abschnitt **FEHLERBEHEBUNG** auf Seite 30.

## FUNKTIONSBESCHREIBUNG

**7**

### INPUT

Verbinden Sie die INPUT-Eingänge mit dem Steuergerät. Verwenden Sie dafür die beiliegenden Cinch-Kabelbäume oder die Hochpegel-Kabelbäume.

**8**

### INPUT LEVEL CH1-6

Wenn Sie die Cinch-Kabelbäume mit den Vorverstärkerausgängen Ihres Steuergeräts verwenden, muss sich dieser Tastschalter in der Position **LOW** befinden. Wenn Sie die Hochpegel-Kabelbäume mit den Lautsprecherausgängen Ihres Steuergeräts verwenden, muss sich dieser Tastschalter in der Position **HIGH** befinden.

**9**

### INPUT MODE

Die Schalter **INPUT CH1-4 FROM** und **INPUT CH5/6 FROM** bestimmen den Eingangsmodus jedes Kanalpaars, abhängig davon, wie viele Eingangskanäle von Ihrem Steuergerät verwendet werden:

Eingang **CH1** und **CH2** wird benutzt:

**INPUT CH1-4 FROM** muss sich in Position **CH1/2** befinden

**INPUT CH5/6 FROM** muss sich in Position **CH1/2** befinden

Eingang **CH1**, **CH2**, **CH3** und **CH4** wird benutzt:

**INPUT CH1-4 FROM** muss sich in Position **CH1-4** befinden

**INPUT CH5/6 FROM** muss sich in Position **CH1/2** befinden

Eingang **CH1**, **CH2**, **CH3**, **CH4**, **CH5** und **CH6** wird benutzt:

**INPUT CH1-4 FROM** muss sich in Position **CH1-4** befinden

**INPUT CH5/6 FROM** muss sich in Position **CH5-6** befinden

**10**

### INPUT SENSITIVITY

Diese Regler bestimmen die Eingangsempfindlichkeit (Anpassung an das Ausgangssignal des Steuergeräts) am jeweiligen Kanalpaar. Der Regelbereich liegt zwischen 5 Volt (MIN) und 0.2 Volt (MAX).

**11**

### CH1/CH2 CROSSOVER

Dieser Frequenzweichenschalter selektiert die gewünschte Betriebsart von Kanal 1/2:

**FULL**: Vollbereich-Modus (gesamter Frequenzbereich wird verstärkt).

**HP**: Hochpass-Modus (Frequenz wird nach unten begrenzt, regelbar durch den Regler HIGH PASS).



**12 CH3/CH4 & CH5/CH6 CROSSOVER**

Dieser Frequenzweichenschalter selektiert die gewünschte Betriebsart von Kanal 3/4 und Kanal 5/6:

**FULL:** Vollbereich-Modus (gesamter Frequenzbereich wird verstärkt).

**HP:** Hochpass-Modus (Frequenz wird nach unten begrenzt, regelbar durch den Regler HIGH PASS).

**LP/BP:** Tiefpass-/Bandpass-Modus (Frequenz wird nach oben begrenzt, einstellbar über den Regler LOW PASS). Der Regler HIGH PASS fungiert dann in dieser Betriebsart als Subsonicfilter und begrenzt die Frequenz nach unten (Bandpass-Funktion).

**WICHTIG:** Ist der Regler HIGH PASS höher als der LOW PASS eingestellt, kommt kein Ton.

**13 HIGH PASS**

Dieser Regler (Hochpassfilter) begrenzt die Frequenzen am jeweiligen Kanalpaar nach unten. Tiefe Frequenzen die einem Lautsprecher schaden können, werden hierbei abgeschnitten. Die Trennfrequenz ist bei CH1/2 von 50 Hz bis 5000 Hz (5 kHz) und bei CH3/4 und CH5/6 von 10 Hz bis 500 Hz stufenlos regelbar.

**14 LOW PASS**

Dieser Regler (Tiefpassfilter) begrenzt die Frequenzen am jeweiligen Kanalpaar nach oben. Die Trennfrequenz ist stufenlos von 50 Hz bis 5000 Hz (5 kHz) regelbar.

**15 BASS BOOST**

Dieser Regler regelt die Bassanhebung stufenlos von 0 dB bis +12 dB bei 45 Hz an Kanalpaar 5/6.

**16 RLC**

Der Anschluss RLC ist zum Anschluss des Kabels der im Lieferumfang enthaltenen Basspegel-Fernbedienung. Mit dieser kann der Bass-Pegel z.B. vom Fahrersitz aus eingestellt werden. Verwenden Sie nur die mitgelieferte Bass-Fernbedienung sowie das dazugehörige Kabel. Die Basspegel-Fernbedienung funktioniert nur in der Betriebsart LP/BP (Tiefpass-/Bandpass-Modus) auf dem Kanalpaar 5/6.

**17 AUTO TURN-ON**

Falls Ihr Steuergerät über keine Einschaltleitung (REM) verfügt, können Sie die automatische Einschaltfunktion des Verstärkers verwenden. Diese funktioniert auf zwei Arten, die am Schalter **AUTO TURN-ON** eingestellt werden können:

**DC:** Diese Methode funktioniert nur, wenn Sie die Hochpegel-Kabelbäume verwenden. Der Taster-Schalter **INPUT LEVEL CH1-6** muss sich hierzu in Position **HIGH** befinden. Der Verstärker erkennt dann beim Einschalten des Steuergeräts durch einen sogenannten "DC Offset" einen Spannungsanstieg auf 6 Volt und schaltet dann den Verstärker ein.

**SIG.:** Wählen Sie diese Methode, wenn Sie die Cinch-Kabelbäume verwenden. Der Taster-Schalter **INPUT LEVEL CH1-6** muss sich hierzu in Position **LOW** befinden. Der Verstärker erkennt dann beim Einschalten des Steuergeräts über die angeschlossenen Cinchkabel einen Spannungsanstieg im ein-treffenden Audiosignal und schaltet dann den Verstärker ein.

**Hinweis:** Sobald das Steuergerät wieder abgeschaltet wird, schaltet sich der Verstärker von selbst ab.

Der Anschluss für die Einschaltleitung des Verstärkers (Siehe Seite 22, Abschnitt 2) kann nun dafür genutzt werden, weitere Verstärker mit einem Einschaltsignal zu versorgen. Verbinden Sie einfach die REM-Anschlüsse der beiden Verstärker und sorgen Sie dafür, dass sich der andere Verstärker im "normalen" Einschaltmodus befindet, d.h. dass die **AUTO TURN ON** Funktion deaktiviert ist.

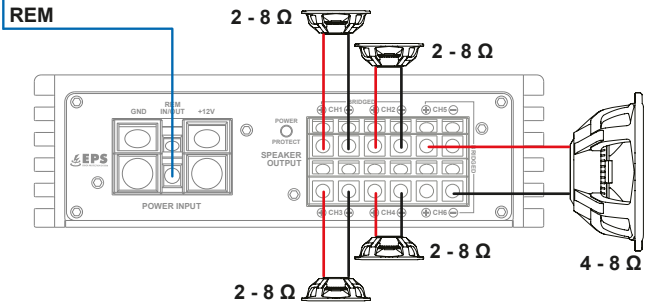
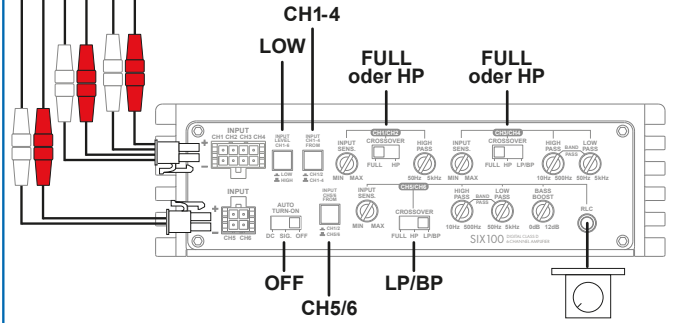
# TYPISCHE ANWENDUNG A



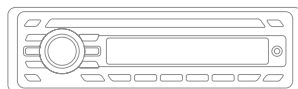
Belegung	
Steuergerät	Verstärker
Cinch Ausgänge	Cinch Eingänge
FL	CH1
FR	CH2
RL	CH3
RR	CH4
SUB L	CH5
SUB R	CH6

## CINCH AUSGÄNGE

- CH1 / links vorne
- CH2 / rechts vorne
- CH3 / links hinten
- CH4 / rechts hinten
- CH5 / SUB OUT
- CH6 / SUB OUT



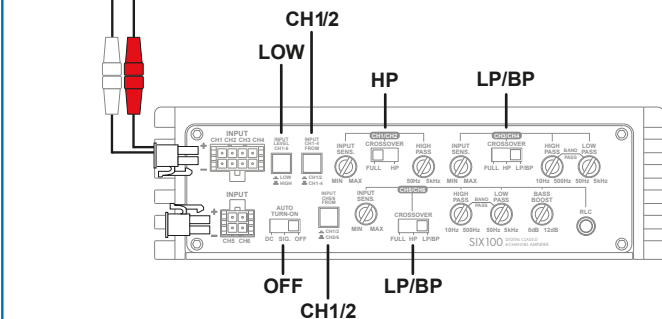
## TYPISCHE ANWENDUNG B



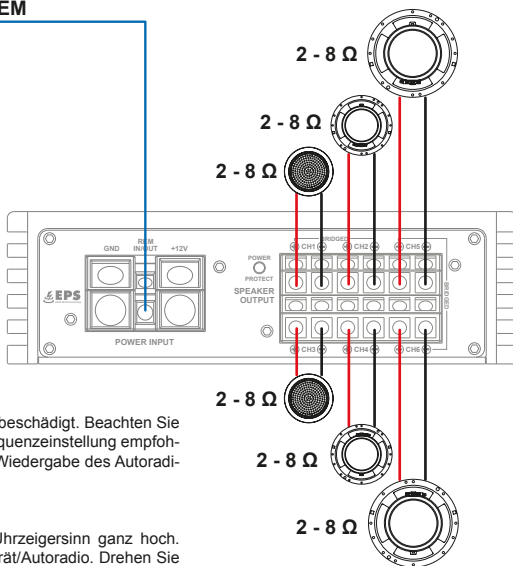
Belegung	
Steuergerät	Verstärker
Cinch Ausgänge	Cinch Eingänge
FL	CH1
FR	CH2

### CINCH AUSGÄNGE

CH1 / links vorne  
CH2 / rechts vorne



REM



### VORSICHT:

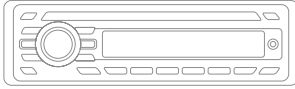
#### Aktiv angesteuerte Hochtöner:

Hochtöner werden durch zu tiefe Frequenzen beschädigt. Beachten Sie dazu die Angaben des Herstellers, welche Frequenzeinstellung empfohlen wird. Pausieren Sie sicherheitshalber die Wiedergabe des Autoradios/Steuergeräts zunächst.

#### Vorgehensweise:

Drehen Sie den Hochpassregler zuerst im Uhrzeigersinn ganz hoch. Starten Sie nun die Wiedergabe am Steuergerät/Autoradio. Drehen Sie dann den Hochpassregler langsam gegen den Uhrzeigersinn, bis aus den Hochtönern ein sauberer Klang zu hören ist und dieser zusammen mit den Tief-/Mitteltönern ein ausgewogenes Klangbild ergibt. Achten Sie dabei auch darauf, dass die Tief-/Mitteltönern entsprechend mit dem jeweiligen Hoch- und Tiefpassregler richtig eingestellt sind.

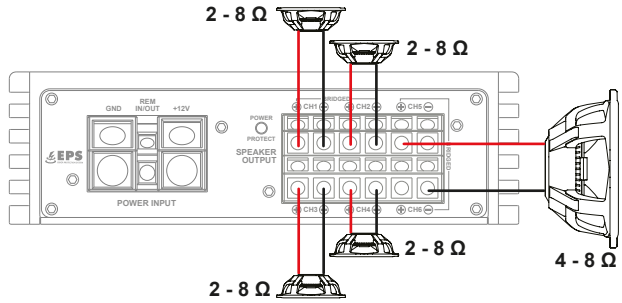
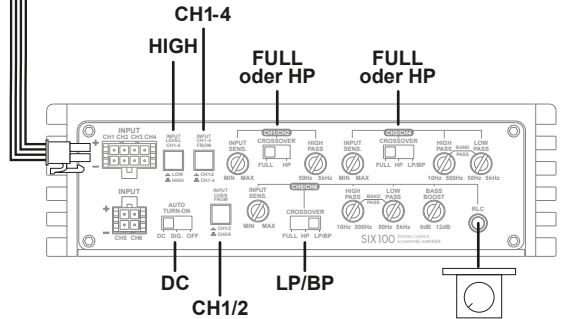
# TYPISCHE ANWENDUNG C



Belegung	
Steuergerät	Verstärker
<b>Lautsprecherausgänge</b>	<b>Hochpegel-eingänge</b>
FL	CH1
FR	CH2
RL	CH3
RR	CH4

## LAUTSPRECHERAUSGÄNGE

- CH1 / links vorne
- CH2 / rechts vorne
- CH3 / links hinten
- CH4 / rechts hinten





## FEHLERBEHEBUNG

**ACHTUNG:** Sämtliche Hinweise dieser Fehlerbehebung beziehen sich auf das gesamte Soundsystem und deren Einzelkomponenten. Unter Umständen entspricht die Ausstattung Ihres Geräts nicht den in den Hinweisen beschriebenen Funktionen. Überspringen Sie dann diesen Punkt und machen mit dem nächsten weiter.

### KEINE FUNKTION / DIE POWER LED LEUCHTET NICHT

#### Überprüfen Sie zuerst die Sicherung des verlegten Stromkabels an der Fahrzeugbatterie

##### Die Sicherung ist defekt

Ersetzen Sie die defekte Sicherung mit einer gleichwertigen, keinesfalls mit einem höheren Wert.

- Die Sicherung fällt erneut aus.

In diesem Fall scheint ein Kurzschluss zwischen Sicherung und Verstärker vorzuliegen. Überprüfen Sie dazu das +12V Stromkabel auf ganzer Länge von der Batterie bis zum Verstärker auf Beschädigungen und ob ein Kurzschluss mit Masse vorliegt, z.B. ein Kontakt zum Fahrzeugchassis oder der Karosserie. Ersetzen Sie gegebenenfalls das defekte Stromkabel.

##### Die Sicherung ist augenscheinlich in Ordnung

Überprüfen Sie mithilfe eines handelsüblichen 12 Volt Spannungsmessers die Spannung zwischen dem +12V Anschluss und dem Masseanschluss am Verstärker.

- Es liegt keine Spannung an.

Überprüfen Sie mithilfe des Spannungsmessers die Sicherung, die in der Nähe an der Fahrzeugbatterie befindet, ob dort zwischen dem Ausgang und Masse Spannung anliegt.

Liegt dort keine Spannung an, ist entweder der Sicherungshalter oder doch die Sicherung defekt, obwohl diese in Ordnung zu sein scheint. Ersetzen Sie gegebenenfalls den Sicherungshalter oder die Sicherung.

- Es liegt Spannung an.

Wenn Sie den Verstärker mit einem Vorverstärkersignal (Cinch/RCA) betreiben, müssen Sie eine Steuerleitung (REM) vom Autoradio/Steuergerät zum REM Anschluss des Verstärker gelegt haben. Der AUTO TURN-ON Schalter muss sich hierbei in Schalterstellung OFF befinden. Sie können jedoch testweise den AUTO TURN-ON Schalter auf SIG. stellen, um zu sehen ob sich der Verstärker dann einschaltet. Ist dies der Fall, liegt ein Problem mit der Steuerleitung vor.

- Eine Steuerleitung (REM) ist am REM Anschluss des Verstärker angeschlossen.

Überprüfen Sie mithilfe des Spannungsmessers, ob zwischen dem REM Anschluss des Verstärkers und Masse eine Spannung anliegt. Dabei muss das Autoradio/Steuergerät angeschaltet sein.

Es liegt keine Spannung an.

- Überprüfen Sie die Steuerleitung vom Verstärker zum Autoradio/Steuergerät auf einen Kurzschluss oder eine Beschädigung. Ersetzen Sie gegebenenfalls die Steuerleitung.

Es liegt Spannung an.

- Der Verstärker hat wahrscheinlich eine Fehlfunktion oder ist defekt. Kontaktieren Sie Ihren Fachhändler.

Wenn Sie den Verstärker mit den Lautsprechersignalen (Hochpegel/High Level) betreiben, muss der AUTO TURN-ON Schalter auf DC umgeschaltet sein.

- Der AUTO TURN-ON Schalter befindet sich in Position DC, dennoch bleibt der Verstärker aus.

Überprüfen Sie die Lautsprecherkabel vom Autoradio/Steuergerät zum Verstärker auf Kurzschlüsse oder Beschädigungen. Ersetzen Sie gegebenenfalls die Lautsprecherkabel oder isolieren Sie die beschädigte Stelle.

<b>DIE POWER LED LEUCHTET, ABER ES KOMMT KEIN TON AUS DEN LAUTSPRECHERN</b>
<b>Überprüfen Sie folgende Schritte:</b>
<p><b>Niederpegelmodus: Sind die RCA/Cinchkabel am Radio/Steuergerät und am Verstärker korrekt angeschlossen?</b></p> <ul style="list-style-type: none"> <li>• <u>Die RCA/Cinchkabel sind korrekt angeschlossen.</u> Es könnte ein RCA/Cinchkabel defekt sein. Überprüfen Sie die Funktion der RCA/Cinchkabel an einem anderen Audiogerät. Ersetzen Sie gegebenenfalls das defekte RCA/Cinchkabel.</li> </ul>
<p><b>Hochpegelmodus: Sind die Lautsprecherkabel am Radio/Steuergerät und den Hochpegel-Eingängen des Verstärker bzw. am Hochpegel-Kabelstecker korrekt angeschlossen?</b></p> <ul style="list-style-type: none"> <li>• <u>Die Lautsprecherkabel sind korrekt angeschlossen.</u> Es könnte ein Lautsprecherkabel defekt sein. Ersetzen Sie gegebenenfalls das Lautsprecherkabel oder isolieren Sie die beschädigte Stelle.</li> </ul>
<p><b>Sind die Lautsprecherkabel zwischen den Lautsprechern oder dem Subwoofer an den Lautsprecherausgängen des Verstärkers korrekt angeschlossen?</b></p> <ul style="list-style-type: none"> <li>• <u>Die Lautsprecherkabel sind korrekt angeschlossen.</u> Es könnte ein Lautsprecherkabel defekt sein. Ersetzen Sie gegebenenfalls das Lautsprecherkabel oder isolieren Sie die beschädigte Stelle.</li> </ul>
<p><b>Ist am Verstärker der Hochpassfilter oder Subsonicfilter höher als der Tiefpassfilter eingestellt?</b></p> <p>Drehen Sie dann den Regler für den Hochpassfilter oder Subsonicfilter langsam zurück, bis der Ton zu hören ist.</p>
<p><b>Ist am Verstärker der Eingangswahlschalter korrekt eingestellt?</b></p> <p>Überprüfen Sie die Einstellung und ändern gegebenenfalls die Schalterstellung.</p>
<p><b>Sind am Verstärker die Frequenzweichenschalter korrekt eingestellt?</b></p> <p>Überprüfen Sie die Einstellungen und ändern gegebenenfalls die jeweilige Schalterstellung.</p>
<p><b>Sind die Lautsprecher oder der Subwoofer funktionsfähig?</b></p> <p>Halten Sie eine handelsübliche 9 Volt Blockbatterie an die Anschlüsse jeden Lautsprechers oder des Subwoofers.</p> <ul style="list-style-type: none"> <li>• <u>Es ist ein leises Knackgeräusch zu hören.</u> Der Lautsprecher oder der Subwoofer ist in Ordnung.</li> <li>• <u>Es ist nichts zu hören.</u> Der Lautsprecher oder Subwoofer könnte defekt sein. Ersetzen Sie gegebenenfalls den defekten Lautsprecher oder Subwoofer.</li> </ul>
<p><b>Sind die Einstellungen am Autoradio/Steuergerät korrekt eingestellt?</b></p> <ul style="list-style-type: none"> <li>• Überprüfen Sie die Fader- und Balance-Einstellungen</li> <li>• Überprüfen Sie, ob eventuell die Stummschaltung aktiviert ist</li> <li>• Überprüfen Sie, ob eventuell ein Hochpass- oder Tiefpassfilter aktiviert ist</li> <li>• Überprüfen Sie, ob eventuell die Wiedergabe pausiert ist</li> <li>• Überprüfen Sie Source-Einstellungen (Signalquelle)</li> <li>• Überprüfen Sie, ob ein eventuell vorhandener Subwooferausgang aktiviert ist</li> </ul>

## FEHLERBEHEBUNG

<b>VERZERRUNGEN ODER ZISCHGERÄUSCHE SIND AUS DEN LAUTSPRECHERN ZU HÖREN</b>
<b>Überprüfen Sie folgende Schritte:</b>
<b>Ist ein Eingangspegelregler am Verstärker zu hoch eingestellt?</b> Drehen Sie den Regler langsam zurück, bis ein sauberes Audiosignal zu hören.
<b>Ist der Bass Boost (Bassanhebung) am Verstärker zu hoch eingestellt?</b> Drehen Sie den Regler langsam zurück, bis ein sauberes Audiosignal zu hören.
<b>Ist die Loudness Funktion am Autoradio/Steuergerät zu hoch eingestellt?</b> Deaktivieren Sie Loudness oder drehen Sie die Loudness Einstellung zurück, bis ein sauberes Audiosignal zu hören ist.
<b>Sind die EQ- und Klangeinstellungen am Autoradio/Steuergerät zu hoch eingestellt?</b> Drehen Sie die Einstellungen für Treble, Mitten und Bass zurück oder deaktivieren Sie den Equalizer, bis ein sauberes Audiosignal zu hören ist.

<b>DREHZAHLABHÄNGIGE STÖRGERÄUSCHE SIND AUS DEN LAUTSPRECHERN ZU HÖREN</b>
<b>Überprüfen Sie folgende Schritte:</b>
<b>Sind die RCA/Cinchkabel getrennt vom Stromkabel im Fahrzeug verlegt worden?</b> Verlegen Sie gegebenenfalls die Kabel erneut und achten Sie darauf, dass die RCA/Cinchkabel getrennt vom Stromkabel jeweils links und rechts im Fahrzeug verlegt werden.
<b>Ist der Masseanschluss des Verstärkers korrekt angeschlossen?</b> Achten Sie darauf, dass der Masseanschluss des Verstärkers nicht direkt am Minuspol der Fahrzeugbatterie angeschlossen ist. Wählen Sie einen geeigneten Massepunkt an der Fahrzeugkarosserie zum Anschließen aus. Verwenden Sie gegebenenfalls Kontaktspray um die Leitfähigkeit der Anschlüsse zu verbessern.
<b>Ist die Leitfähigkeit des Massekabels der Fahrzeugbatterie zur Karosserie in Ordnung?</b> Achten Sie darauf, dass der Masseanschluss der Fahrzeugbatterie eine stabile und leitfähige Verbindung zur Karosserie hat. Verwenden Sie gegebenenfalls Kontaktspray um die Leitfähigkeit der Anschlüsse zu verbessern.

<b>EIN AKTIV BETRIEBENER HOCHTÖNER VERZERRT ODER KNACKT</b>
<b>VORSICHT: Hochtöner werden durch zu tiefe Frequenzen beschädigt. Beachten Sie dazu die Angaben des Herstellers, welche Frequenzeinstellung empfohlen wird. Pausieren Sie sicherheitshalber die Wiedergabe des Autoradios/Steuergeräts zunächst. Überprüfen Sie dazu folgende Schritte:</b>
<b>Ist der Frequenzweichenschalter des betreffenden Kanalpaars am Verstärker korrekt eingestellt?</b> Stellen Sie den Schalter auf Position Hochpass (HP oder HPF).
<b>Ist der Hochpassfilter des betreffenden Kanalpaars am Verstärker zu niedrig eingestellt?</b> Drehen Sie den Hochpassregler zuerst im Uhrzeigersinn ganz hoch. Starten Sie nun die Wiedergabe am Steuergerät/Autoradio. Drehen Sie dann den Hochpassregler langsam gegen den Uhrzeigersinn, bis aus den Hochtönern ein sauberer Klang zu hören ist und dieser zusammen mit den Tief-/Mitteltönern ein ausgewogenes Klangbild ergibt. Achten Sie dabei auch darauf, dass die Tief-/Mitteltönern entsprechend mit dem jeweiligen Hoch- und Tiefpassregler richtig eingestellt sind.



<b>VERSTÄRKER AKTIVIERT DIE SCHUTZSCHALTUNG / DIE PROTECT LED LEUCHTET</b>
<b>Überprüfen Sie folgende Schritte:</b>
<p><b>Kurzschluss an den Lautsprecherkabeln</b></p> <ul style="list-style-type: none"> <li>• Klemmen Sie zunächst alle Lautsprecherkabel am Verstärker ab. Überprüfen Sie mit einem Multimeter die ohmsche Impedanz jedes Lautsprechers, indem sie zwischen dessen Plus- und Minusleitung messen. Bei handelsüblichen Lautsprechern schwankt der Wert zwischen 3 und 5 Ohm. Die Werte bei niederohmigen Subwoofern können geringer sein. <ul style="list-style-type: none"> <li>• <u>Die Messung zeigt einen Widerstandswert von weniger als 0,5 Ohm an</u> Es liegt ein Kurzschluss vor. Entfernen Sie die Verkabelung des betroffenen Lautsprechers an dessen Anschlüssen. Überprüfen Sie jetzt mit dem Multimeter die ohmsche Impedanz direkt an den Lautsprecheranschlüssen, indem sie zwischen Plus- und Minusanschluss messen. <ul style="list-style-type: none"> <li>• <u>Die Messung zeigt einen Widerstandswert von mehr als 0,5 Ohm an</u> <ul style="list-style-type: none"> <li>• Der Lautsprecher ist in Ordnung, deshalb scheint das Lautsprecherkabel defekt zu sein, welches einen Kurzschluss verursacht. Ersetzen Sie das defekte Lautsprecherkabel.</li> </ul> </li> <li>• <u>Die Messung zeigt einen Widerstandswert von weniger als 0,5 Ohm an</u> <ul style="list-style-type: none"> <li>• Der Lautsprecher scheint defekt zu sein, welcher einen Kurzschluss zu verursacht. Ersetzen Sie den defekten Lautsprecher.</li> </ul> </li> </ul> </li> </ul> </li> </ul>
<p><b>Die Lastimpedanz der Lautsprecher oder des Subwoofers ist zu niedrig</b></p> <ul style="list-style-type: none"> <li>• Vergleichen Sie die ohmsche Impedanz des angeschlossenen Lautsprechers oder Subwoofers mit den technischen Angaben des Verstärkers. Ist der Verstärker beispielsweise nur für den 2- oder 4-Ohm Betrieb ausgelegt, darf kein Lautsprecher mit weniger als 2 Ohm angeschlossen werden.</li> </ul>
<p><b>Der Kabelquerschnitt der Stromkabel ist zu gering</b></p> <ul style="list-style-type: none"> <li>• Ein zu geringer Kabelquerschnitt sorgt für einen erhöhten ohmschen Widerstand und somit für einen Spannungsabfall (Spannungsverlust). Dies hat zur Folge, dass der Verstärker mehr Strom benötigt. Durch die erhöhte Stromaufnahme kommt es zu einer deutlich höheren Hitzeentwicklung und der Verstärker schaltet in den thermalen Schutzmodus. Beachten Sie deshalb die empfohlenen Kabelquerschnitte in dieser Anleitung und verlegen gegebenenfalls Stromkabel mit einem größeren Kabelquerschnitt.</li> </ul>
<p><b>Der Verstärker ist überhitzt</b></p> <ul style="list-style-type: none"> <li>• Der Kühlkörper jedes Verstärkers benötigt ausreichend Luftzirkulation, um die während des Betriebs entstandene Wärme auch abführen zu können. Ändern Sie gegebenenfalls die Einbauposition zugunsten einer besseren Kühlung des Verstärkers oder sorgen Sie für eine bessere Luftzirkulation am Einbaort.</li> <li>• Schalten Sie das Soundsystem aus und warten sie etwa eine halbe Stunde, bis sich der Verstärker wieder abgekühlt hat. Bei sehr heißen Außentemperaturen und starker Sonneneinstrahlung entwickelt sich eine enorme Hitze im Fahrzeug. Der Verstärker aktiviert dann seine thermale Schutzschaltung, um Beschädigungen vorzubeugen. Nachdem Abkühlen funktioniert der Verstärker wieder einwandfrei.</li> </ul>

**ACHTUNG:** Sämtliche Hinweise dieser Fehlerbehebung beziehen sich auf das gesamte Soundsystem und deren Einzelkomponenten. Unter Umständen entspricht die Ausstattung Ihres Geräts nicht den in den Hinweisen beschriebenen Funktionen. Überspringen Sie dann diesen Punkt und machen mit dem nächsten weiter.



## MW5RCA

### RCA STEREO PATCH CORD, 5 METERS HIGHLY CONDUCTIVE FULL COPPER (99,9% OFC)

RCA stereo patch cord (silver), Double-shielded  
99,9% OFC Copper Wire, Gold plated Connectors  
Silver Metal Housings, incl. Remote Wire

### CINCH STEREO AUDIO KABEL, 5 METER AUS HOCHLEITFÄHIGEM VOLLKUPFER (99,9% OFC)

Cinch-Audio-Stereokabel (silber), Doppelt abgeschirmt  
99,9% OFC Kupferkabel, Vergoldete Anschlüsse  
Silberne Metallgehäuse, inkl. Steuerleitung



## MW3RCA

### RCA STEREO PATCH CORD, 3 METERS HIGHLY CONDUCTIVE FULL COPPER (99,9% OFC)

RCA stereo patch cord (silver), Double-shielded  
99,9% OFC Copper Wire, Gold plated Connectors  
Silver Metal Housings, incl. Remote Wire

### CINCH STEREO AUDIO KABEL, 3 METER AUS HOCHLEITFÄHIGEM VOLLKUPFER (99,9% OFC)

Cinch-Audio-Stereokabel (silber), Doppelt abgeschirmt  
99,9% OFC Kupferkabel, Vergoldete Anschlüsse  
Silberne Metallgehäuse, inkl. Steuerleitung



## MW1RCA

### RCA STEREO PATCH CORD, 1 METER HIGHLY CONDUCTIVE FULL COPPER (99,9% OFC)

RCA stereo patch cord (silver), Double-shielded  
99,9% OFC Copper Wire, Gold plated Connectors  
Silver Metal Housings, incl. Remote Wire

### CINCH STEREO AUDIO KABEL, 1 METER AUS HOCHLEITFÄHIGEM VOLLKUPFER (99,9% OFC)

Cinch-Audio-Stereokabel (silber), Doppelt abgeschirmt  
99,9% OFC Kupferkabel, Vergoldete Anschlüsse  
Silberne Metallgehäuse, inkl. Steuerleitung



## DSP68PRO

### 8-CHANNEL DSP WITH PC/APP CONTROL

Dual 32bit, 330 MIPS DSP technology  
 6 x High Level Inputs (switchable to Low Level)  
 2 x AUX/RCA Inputs/Stereo  
 8 x RCA Outputs  
 1 x Optical Input/Stereo  
 Start-Stop ready, Auto Turn-On  
 Dimensions in mm: 205 (L) x 127 (W) x 31 (H)

### 8-KANAL DSP MIT PC/APP-STEUERUNG

Dual 32bit, 330 MIPS DSP-Technologie  
 6 x Hochpegeleingang (schaltbar auf Niederpegel)  
 2 x AUX/RCA-Eingang/Stereo  
 8 x RCA Ausgang  
 1 x Eingang Optisch/Stereo  
 Start-Stop ready, Auto Turn-On  
 Abmessungen in mm: 205 (L) x 127 (B) x 31 (H)



## MC500

### 0.5 FARAD POWER CAPACITOR WITH INTEGRATED DISTRIBUTION BLOCK

Digital voltmeter with 3 digits, Connection for remote turn-on  
 Sturdy acrylic holders, Dimensions: Ø 6,5 x 13,6 cm  
 Distribution Block:  
 1 x Plus 16 mm<sup>2</sup> IN / 2 x 10 mm<sup>2</sup> OUT  
 1 x Minus 16 mm<sup>2</sup> IN / 2 x 10 mm<sup>2</sup> OUT

### 0.5 FARAD PUFFERKONDENSATOR MIT INTEGRIERTEM VERTEILERBLOCK

Digitale Voltanzeige mit 3 Stellen, Anschluss für Einschaltleitung,  
 Stabile Acryl-Halterungen, Abmessungen: Ø 6,5 x 13,6 cm  
 Verteilerblock:  
 1 x Plus 16 mm<sup>2</sup> IN / 2 x 10 mm<sup>2</sup> OUT  
 1 x Minus 16 mm<sup>2</sup> IN / 2 x 10 mm<sup>2</sup> OUT



## MFB100

### MODULAR MINI-ANL FUSE HOLDER FOR CABLE CROSS SECTIONS UP TO 20 MM<sup>2</sup>

Multifunctional fuse holder for mini-ANL fuses  
 Cable cross sections up to 20 mm<sup>2</sup>, incl. 10 mm<sup>2</sup> Adapter

### MODULARER MINI-ANL SICHERUNGSHALTER FÜR KABELQUERSCHNITTE BIS 20 MM<sup>2</sup>

Multifunktionaler Sicherungshalter, für Mini-ANL Sicherungen  
 Kabelquerschnitte bis zu 20 mm<sup>2</sup>, inkl. 10 mm<sup>2</sup> Adapter

# MUSWAY

MUSIC IS THE WAY

MUSWAY is a brand of Audio Design GmbH  
Am Breilingsweg 3 · D-76709 Kronau  
Tel. +49 7253 - 9465-0 · Fax +49 7253 - 946510  
© Audio Design GmbH, All Rights Reserved

[www.musway.de](http://www.musway.de)

**TECHNIK FÜR KLANGBEGEISTERTE**