

 **PHOENIX GOLD**

ZP
series
PRO AUDIO



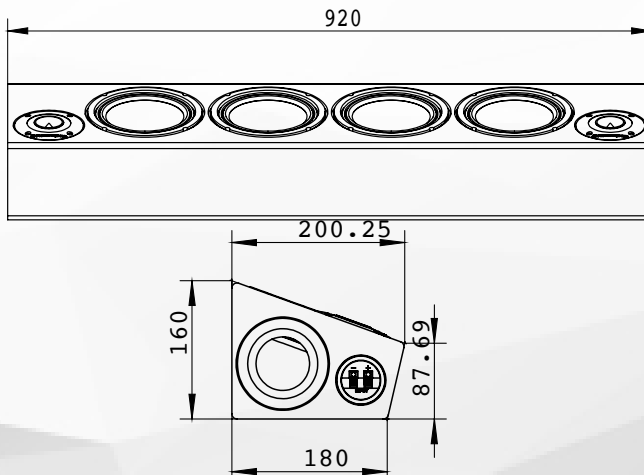
ZP65BOX/ZP65BOXRGB

PRO AUDIO ENCLOSURE

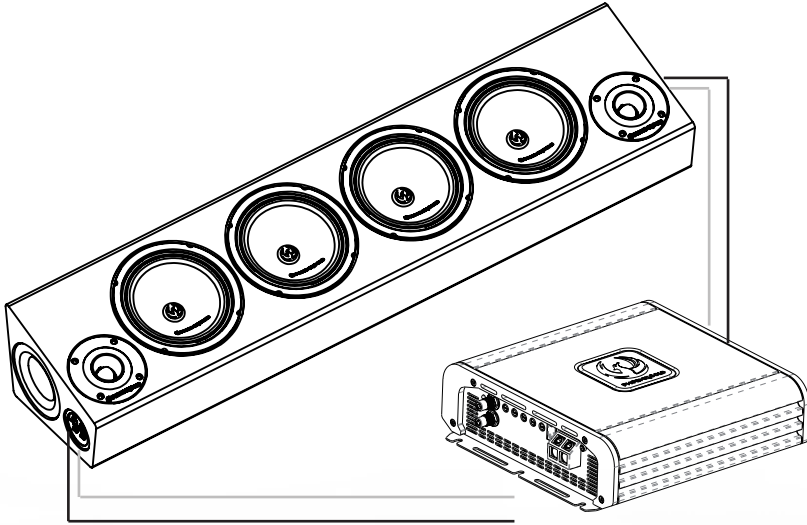
SPECIFICATIONS

Specifications:	ZP65BOX	ZP65BOXRGB
Type:	Pro Audio Enclosure	Pro Audio Enclosure
Power (RMS):	850w	850w
Power (MAX):	1700w	1700w
Frequency Response:	90Hz - 20Khz	90Hz - 20Khz
Impedance:	4Ω	4Ω
Midrange Speaker:	4 x ZP65 6.5"	4 x ZP65 6.5"
Tweeter:	2 x ZPRO36 3.8"	2 x ZPRO36 3.8"
Dimensions:	920 x 200.25 x 160mm	920 x 200.25 x 160mm
RGB Illumination :	NO	YES

CRITICAL DIMENSIONS



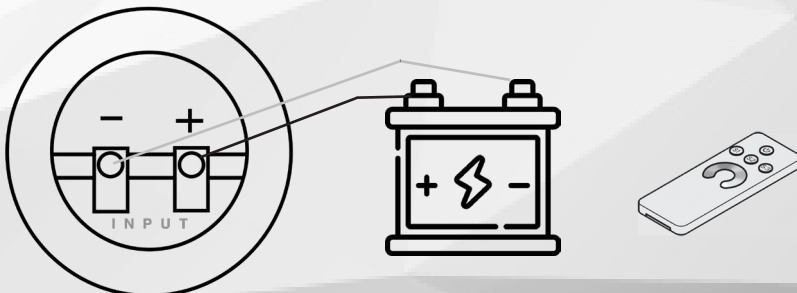
WIRING DIAGRAM



To complete installation of your Pro box wire both left and right side terminals to 2 channels of an amplifier being careful to match the RMS rating of the products for best performance

RGB INSTRUCTIONS

For RGB illumination provide the rear terminal with both a fused 12v power and ground connection and utilise the remote control for colour selection





Disclaimer

Always ensure the enclosure is securely attached, to avoid movement. PHOENIX GOLD accepts no responsibility for damage or injury in relation to inappropriate securing of this product.

Phoenix Gold Product Warranty

LIMITED WARRANTY ON AMPLIFIERS

Phoenix Gold warrants this product to be free of defects in materials and workmanship for a period of one (1) years from the original date of purchase. This warranty is not transferable and applies only to the original purchaser from an authorized Phoenix Gold dealer. Should service be necessary under this warranty for any reason due to manufacturing defect or malfunction, Phoenix Gold or it's Country distributor / reseller will (at its discretion) repair or replace the defective product with new or re-manufactured product at no charge. Damage caused by the following is not covered under warranty: accident, misuse, abuse, product modification or neglect, failure to follow installation instructions, unauthorized repair attempts, misrepresentations by the seller. This warranty does not cover incidental or consequential damages and does not cover the cost of removing or reinstalling the unit(s). Cosmetic damage due to accident or normal wear and tear is not covered under warranty.